

MECHANICAL SPECIFICATIONS

FIXTURE

Dimensions:

mm: 483 x 340 x 793
in: 19.0 x 13.4 x 31.0

ROADCASE

Dimensions:

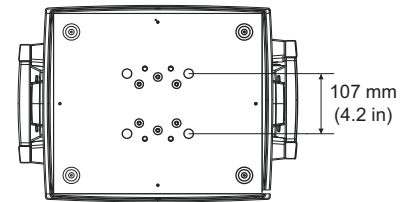
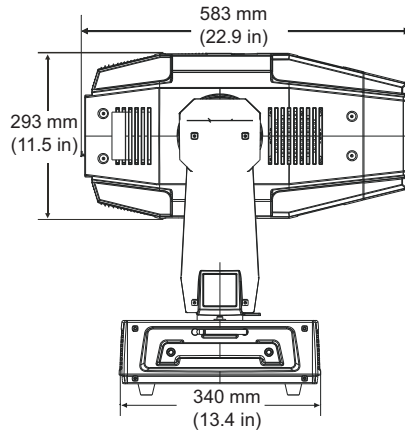
mm: 700 x 580 x 740
in: 27.6 x 22.8 x 29.0

Fixture Weight: 35 kg (77 lb)

Shipping Weight: 72.5 kg (160 lb)

Mounting Information: The Technoarc fixture can be truss mounted using 1/4 camlock c-clamps mounting brackets. It can also stand upright on a stable surface.

Colors Available: Black



ELECTRICAL/LIGHT SOURCE

Fixture Rated Power: 850 W

Power Consumption: AC 100V-240V; 50Hz / 60Hz;
8.5A-3.5A

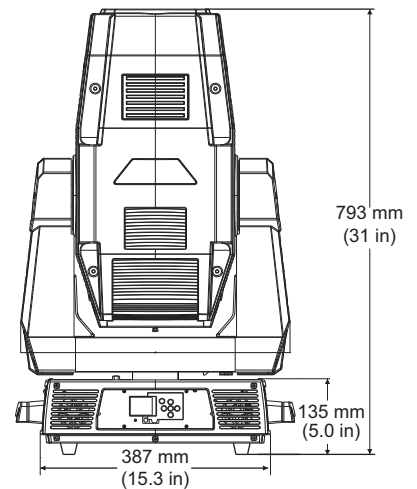
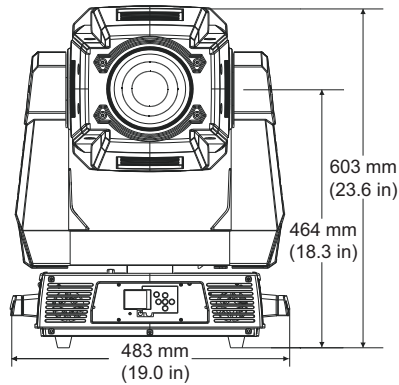
Lamp: MSR GOLD 575/2MiniFastFit

Color Temperature: 7000 K

Lamp Life: 750 Hrs

Fixture Output: 13,000 Lumens* (BEAM)

12,000 Lumens* (WASH)



* 3 points (center, middle, and edge)

OPERATION

Pan: 540°

Tilt: 245°

Zoom: 3.5:1; 9° - 32° (WASH) / 6° (BEAM)

Environmental Specifications:

Maximum Ambient Temperature (T_a): 45°C (113°F)

Minimum Distance to flammable Objects: 6 m (19.6 ft)

Maximum Exterior Surface Temperature: 110°C (230° F)

Minimum Distance to lighted object: 6 m (19.6 ft)

Compliances: CE, ETL

PART NUMBERS

Fixture:

H7010002: Technoarc fixture, black

Replacement Lamps:

55030093: MSR GOLD 575/2MiniFastFit Replacement Lamp

DMX CONTROL

Control Options: DMX-512, Internal Effects™

Address Methods: Full Color LCD Display, Battery Mode, RDM

DMX/RDM Data Connectors: 3-pin and 5-pin male and female XLR connectors

DMX Channels: 21

Fixtures per Universe: 24

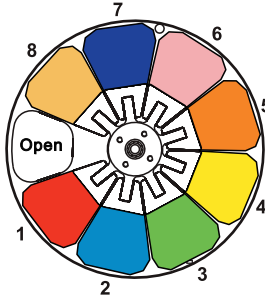
DMX CHANNELS

Channel	Function
1	Pan
2	
3	Tilt
4	
5	Color Mix Function
6	Cyan
7	Magenta
8	Yellow
9	Static Color Function
10	Static Color Position
11	Zoom Bypass

Channel	Function
12	Zoom
13	
14	Iris
15	Shutter/Lamp Function
16	Shutter
17	Dim
18	MSpeed
19	Control
20	Indigo Highlighter Function
21	Indigo Highlighter Dim

FIXED COLOR WHEEL

Position	Description	
1	Red	80305030763
2	Blue	80305030784
3	Green	80305030769
4	Yellow	80305030772
5	Amber	80305030787
6	Pink	80305030793
7	UV	80305030778
8	CTO	803050310600



HIGH END SYSTEMS
a Barco company

High End Systems

2105 Gracy Farms Lane
Austin, TX 89858 USA

voice: 512.836.2242

fax: 512.837.5290

Toll Free: 800.890.8989

Customer Service

2105 Gracy Farms Lane
Austin, TX 89858 USA

voice: 800.890.8989

fax: 512.834.9195

Toll free: 800.890.8989